

Series 1 Type 2 Self-Service Bag Drop

The premium retrofit self-service bag drop



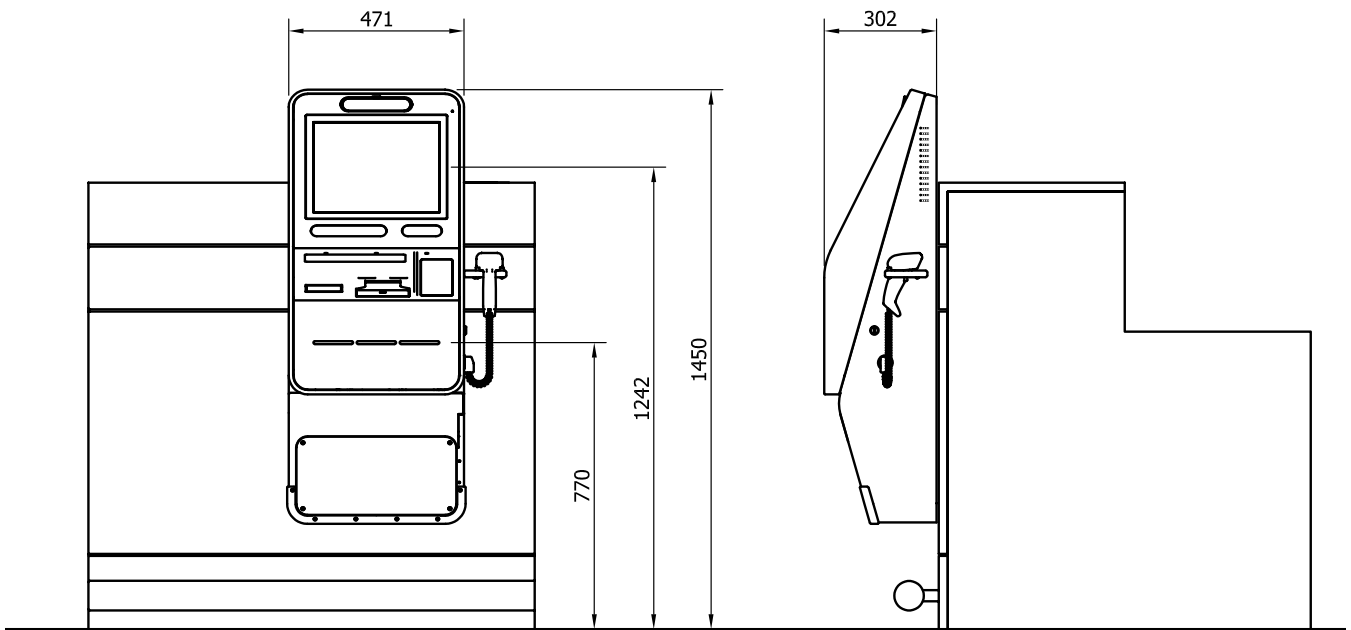
The Series 1 Type 2 is the premium retrofit bag drop solution – with an integrated console design for optional features such as biometric verification, passport validation, payment terminal, disability navigation panel amongst many others.

Multi-coloured lighting indicators attract and guide the passenger's attention. Lighting can easily be configured to match the existing airport design.

Each unit is fitted with printers and a hand-held scanner, enabling passenger-operated bag tag scanning. The unit is mounted to the front of the existing check-in desks, interfacing with the existing conveyors and weigh scales, with the built-in ability to switch from self-service to agent mode.

Features

- > Fits with / onto existing infrastructure
- > ICM's IATA certified CUSS platform
- > No changes to BHS system
- > Sophisticated integrated design
- > 1 or 2 step capable
- > Disability access compliant
- > Multi-lingual
- > < 30 seconds transaction times using the simple intuitive interface in a 2-step bag tagging process
- > Customisable airline application
- > Adheres to local process rules
- > Upward compatible with ICM Series 3 Type 2 ABD
- > Optional features: Biometrics (face, fingerprint, iris, etc), e-Passport reader, payment terminal, disability navigation panel, audio socket and audible loudspeaker.



Features



*Please note that these features can be changed at any time by ICM without notice.